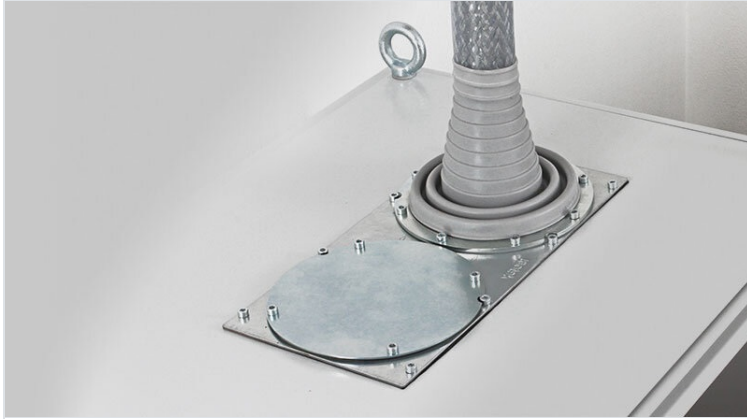


MP modular gland plates

for Rittal / Lohmeier enclosures / IP54



IP54

RoHS
compliant

REACH
COMPLIANCE

Made in
Germany

The module plates have cut-outs for fixing the KEL range cable entry systems [KEL 24](#), [KEL-U 24](#), [KEL-QUICK 24](#), [KEL-JUMBO](#), [KEL-DPF](#), [KEL-JUMBO flex](#) and [KEL-ULTRA flex](#).

The module plates can be installed on:

- Separation walls by Rittal
- closed enclosure bases and roofs (various manufacturers)
- Bases of Lohmeier enclosures
- Bases of Rittal enclosures via KDR-BMP gland plates

The module blank plate without cut-outs (Order No. 43882) is designed for closing unused cut-outs. This module plate can even be used for self-made cut-outs.

Module plates are supplied with a gasket.

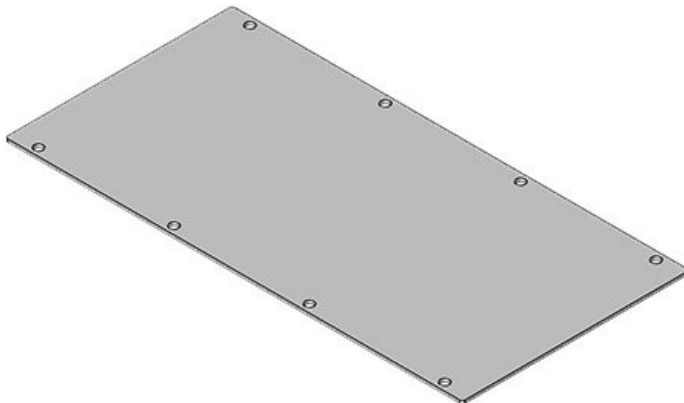
Specifications

IP rating (EN 60529)	IP54
Material	Steel, zinc plated Aluminum

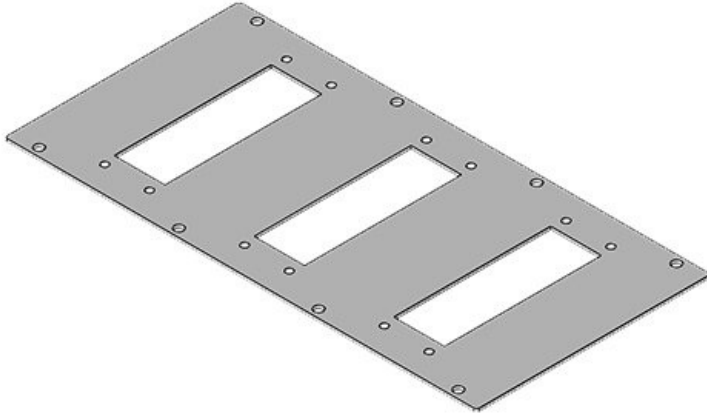
Advantages & Benefits

Product types & Sizes

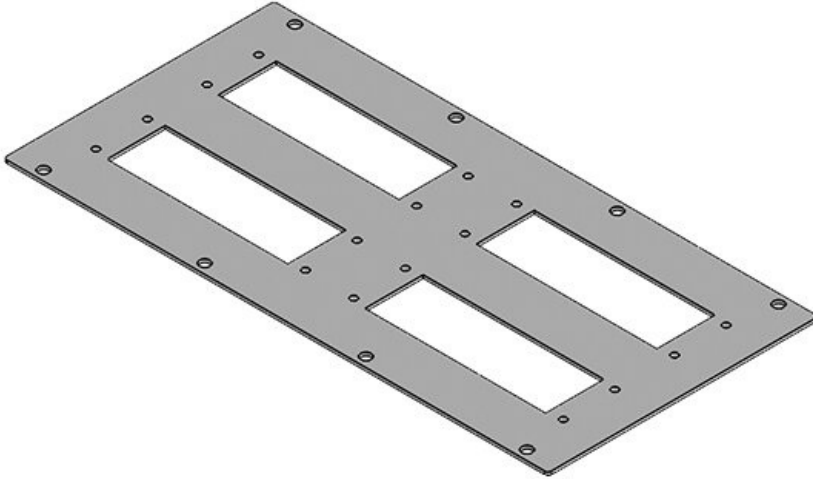
MP 0



Part No.	43882
EAN	4251269310898
Package quantity	1
Length	338 mm
Width	168 mm
Height	2 mm
Suitable for enclosure	Rittal TS 8, Lohmeier

MP 1

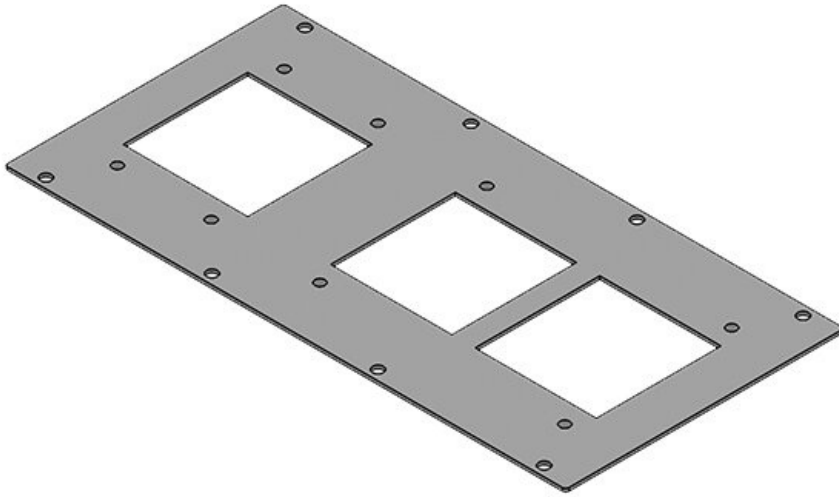
Part No.	43891	Suitable for enclosure	Rittal TS 8, Lohmeier
EAN	4251269310966	Suitable for cable entry systems:	3 × KEL 24 / KEL-U 24 / KEL-FA 24 / KEL-QUICK 24
Package quantity	1		
Length	338 mm		
Width	168 mm		
Height	2 mm		
Cut-out size	112 × 36 mm		

MP 2

Part No.	43890	Suitable for enclosure	Rittal TS 8, Lohmeier
EAN	4251269310959	Suitable for cable entry systems:	4 × KEL 24 / KEL-U 24 / KEL-FA 24 / KEL-QUICK 24
Package quantity	1		
Length	338 mm		
Width	168 mm		
Height	2 mm		
Cut-out size	112 × 36 mm		

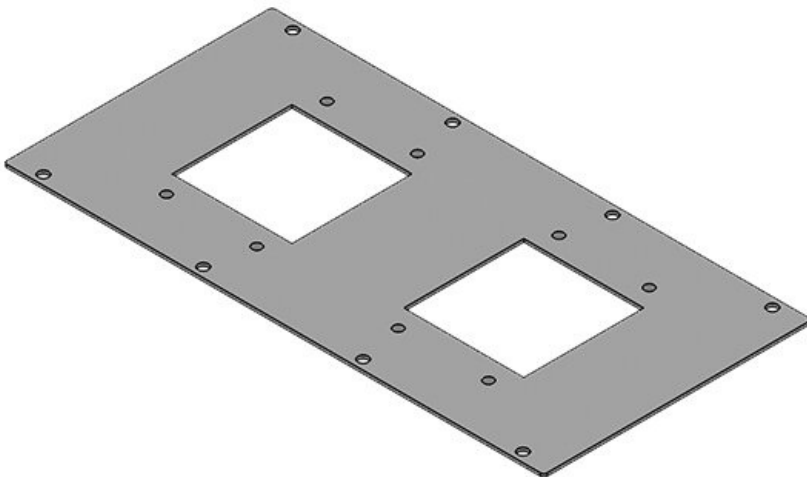
MP 3

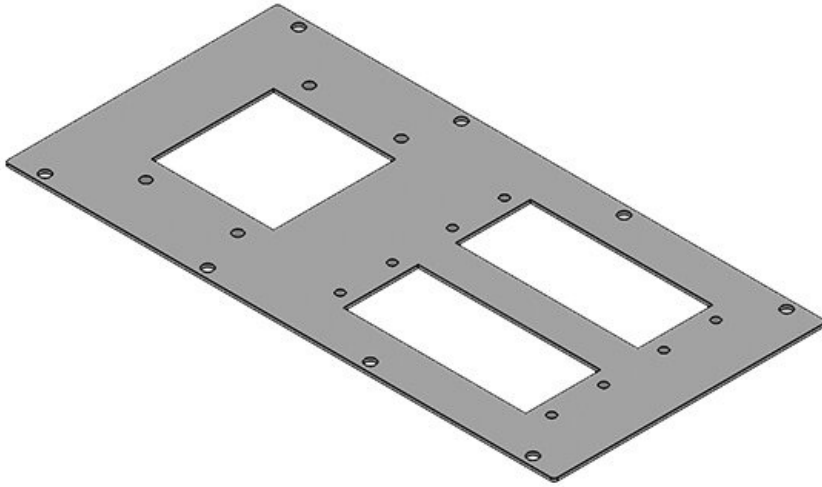
Part No.	43886	Suitable for	1 × KEL-
EAN	4251269310	cable entry	JUMBO 1, 1 ×
	911	systems:	KEL-JUMBO 2
Package	1		
quantity			
Length	338 mm		
Width	168 mm		
Height	2 mm		
Suitable for	Rittal TS 8,		
enclosure	Lohmeier		



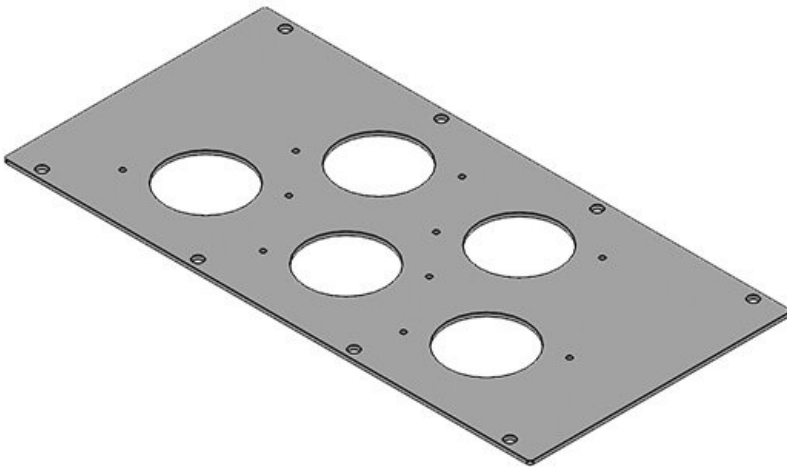
MP 4

Part No.	43888	Suitable for	2 × KEL-
EAN	4251269310	cable entry	JUMBO 1
	935	systems:	
Package	1		
quantity			
Length	338 mm		
Width	168 mm		
Height	2 mm		
Suitable for	Rittal TS 8,		
enclosure	Lohmeier		



MP 5

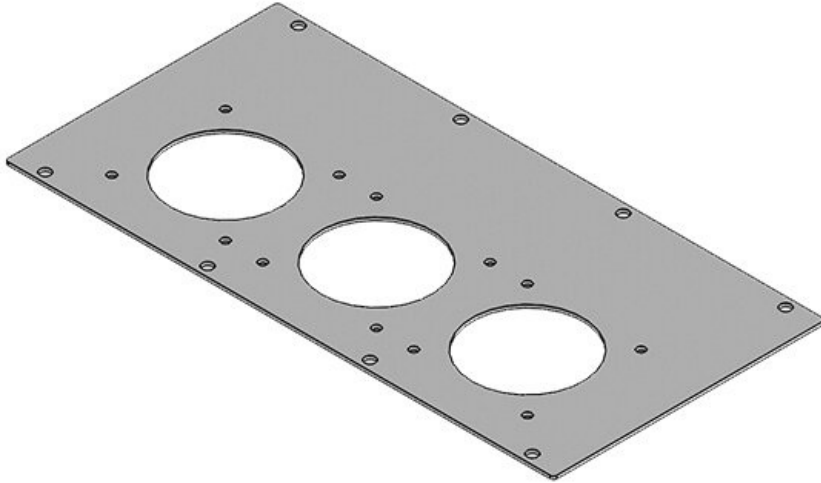
Part No.	43887	Suitable for enclosure	Rittal TS 8, Lohmeier
EAN	4251269310	Suitable for cable entry systems:	2 × KEL 24 /
Package quantity	928		KEL-U 24 /
Length	1		KEL-FA 24 /
Width	338 mm		KEL-QUICK
Height	168 mm		24, 1 × KEL-
Cut-out size	2 mm		JUMBO 1
	112 × 36 mm		

MP 6

Part No.	43883	Suitable for enclosure	Rittal TS 8, Lohmeier
EAN	4251269310	Suitable for cable entry systems:	5 × KEL-DPZ
Package quantity	904		50 / KEL-
Length	1		DPZ-HD 50 /
Width	338 mm		KEL-DPZ-
Height	168 mm		CLICK 50 /
Cut-out size, round	2 mm		KEL-SCDP-TR
	50,4 mm		50 / KEL-DPF
			50

MP 7

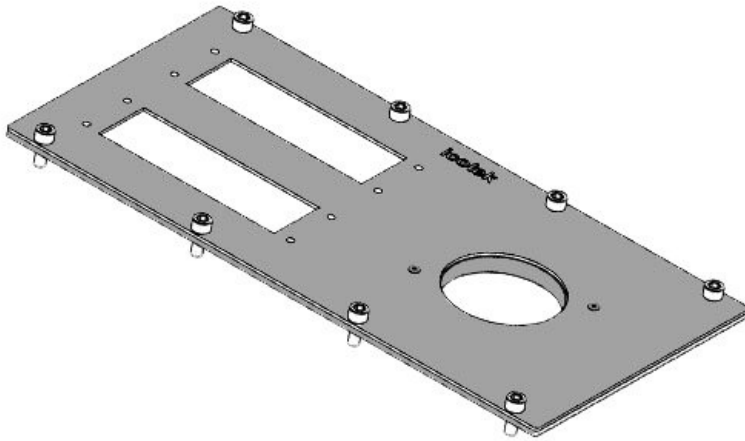
Part No.	43889	Suitable for enclosure	Rittal TS 8,
EAN	4251269310	Suitable for cable entry systems:	Lohmeier
	942		3 × KEL-
Package quantity	1		JUMBO flex
Length	338 mm		
Width	168 mm		
Height	2 mm		
Cut-out size, round	75,5 mm		



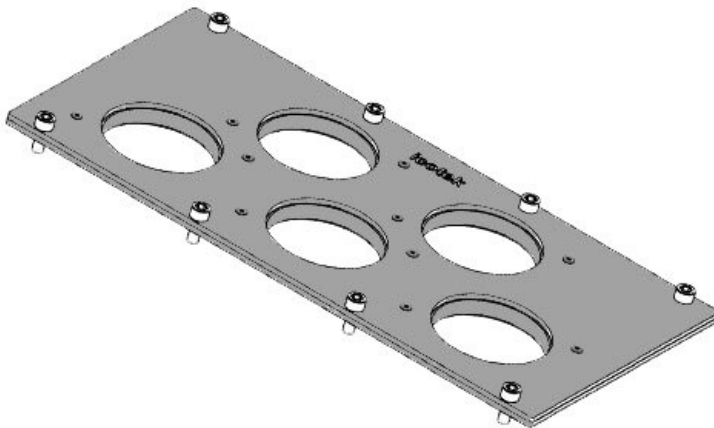
MP 8

Part No.	43894	Suitable for enclosure	Rittal TS 8,
EAN	4251269310	Suitable for cable entry systems:	Lohmeier
	973		2 × KEL-
Package quantity	1		ULTRA flex
Length	338 mm		
Width	168 mm		
Height	2 mm		
Cut-out size, round	140 mm		





Part No.	43896	Cut-out size,	63,4 mm
EAN	4251269320	round	
Package quantity	1	Suitable for enclosure	Rittal TS 8, Lohmeier
Length	338 mm	Suitable for cable entry systems:	2 × KEL 24 / KEL-U 24 / KEL-FA 24 / KEL-QUICK 24, 1 × KEL-DPZ 63 / KEL-DPZ-CLICK 63 / KEL-DPF 63
Width	168 mm		
Height	2 mm		
Cut-out size	112 × 36 mm		



Part No.	43899	Suitable for enclosure	Rittal TS 8, Lohmeier
EAN	4251269319	Suitable for cable entry systems:	5 × KEL-DPZ 63 / KEL-DPZ-HD 63 / KEL-DPZ-CLICK 63 / KEL-SCDP-TR 63 / KEL-DPF 63
Package quantity	1		
Length	338 mm		
Width	168 mm		
Height	2 mm		
Cut-out size, round	63,4 mm		