

FP flange plates for cable entry systems

suitable for numerous Rittal enclosures / IP54 - IP66



IP54

IP55

IP64

IP65

IP66

RoHS
compliant



Made in
Germany

The flange plates are pre-cut, pre-drilled, painted and can be installed in combination with a cable entry system for either pre-terminated cables or cables without connectors.

We supply complete flange plates FP-AE and FP-AX with 86/112 × 36 mm cut-outs for compact Rittal enclosures of the AE / AX series. The cut-outs, as well as the drilling template, conform to the standard cut-outs for 16/24-pin industrial connectors.

The flange plates type FP-BG, designed to fit the Rittal BG series enclosures, have up to 3 cut-outs that match the dimensions of the standard cut-outs for the 24-pin industrial connectors.

The FP flange plates type KX / KL, designed to fit the Rittal KX / KL series terminal boxes are offered with different cut-outs numerous icotek cable entry products.

All flange plates are RAL 7035 powder-coated. Please use the gaskets of the standard plates.

Enclosures are supplied with gaskets and screws. Most of the flange plates are equipped with threaded passages. This saves a lot of time during assembly.

We recommend fastening the cable entry systems with a torque of 1.5 - 2.0 Nm.

Specifications

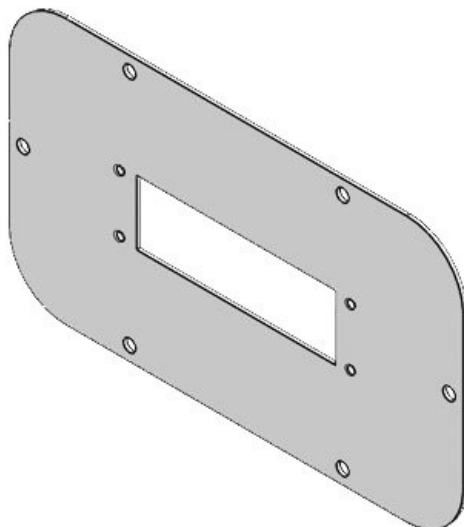
IP rating (EN 60529)	IP54, IP55, IP64, IP65, IP66
Material	Sheet steel, powder coated

Advantages & Benefits

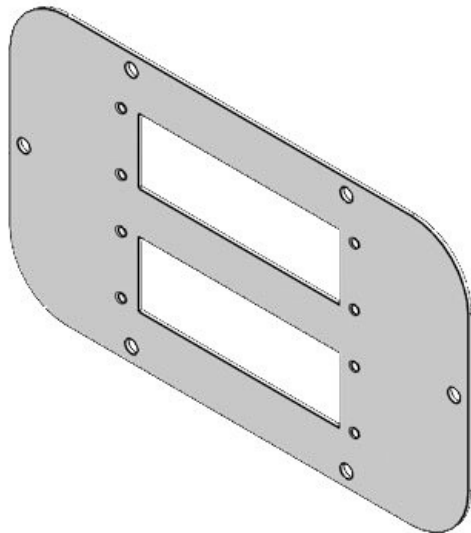
- No additional sheet metal work required
- High cable density
- Reduce labour costs by using cable entry systems compared to the assembly of conventional cable glands

Product types & Sizes

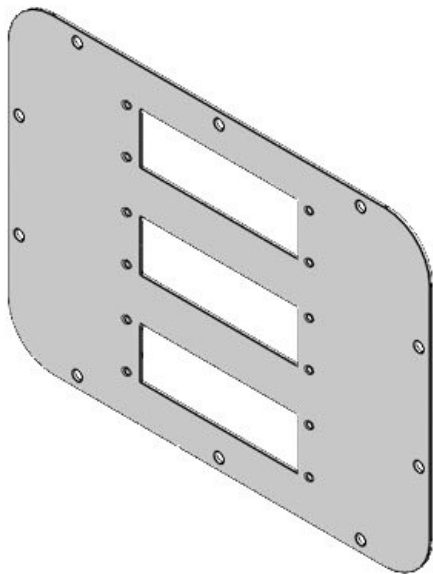
FP-AX 256|149-1



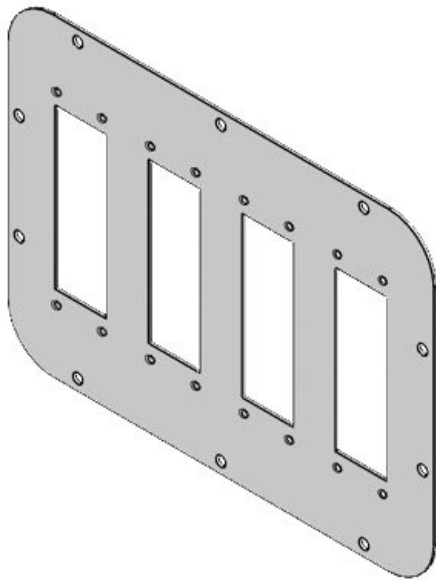
Part No.	43901	Flange plate size	1
EAN	4251269321	Cut-out size	112 × 36 mm
Package quantity	351	Suitable for enclosure	Rittal AX
Color	gray (RAL 7035)	Suitable for cable entry systems:	KEL-ER 24, KEL-24, KEL-U 24, KEL-FA 24, KEL-FG A, KEL-FG-ER A, KEL-QUICK 24, KEL-QTA 24, KEL-BES 24, KEL-BES-S 24, KEL-DPZ 24, KEL-DPU 24, KEL-DPU-HD 24, KEL-DP 24
Length	256 mm		
Width	149 mm		
Height	2 mm		



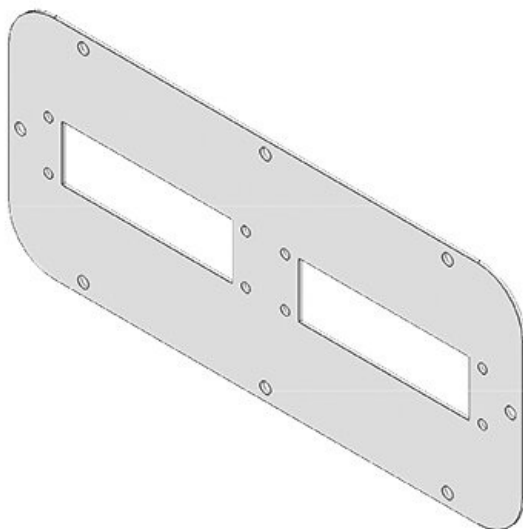
Part No.	43902	Flange plate size	1
EAN	4251269321368	Cut-out size	112 × 36 mm
Package quantity	1	Suitable for enclosure	Rittal AX
Color	gray (RAL 7035)	Suitable for cable entry systems:	KEL-ER 24, KEL-24, KEL-U 24, KEL-FA 24, KEL-FG A, KEL-FG-ER A, KEL-QUICK 24, KEL-QTA 24, KEL-BES 24, KEL-BES-S 24, KEL-DPZ 24, KEL-DPU 24, KEL-DPU-HD 24, KEL-DP 24
Length	256 mm		
Width	149 mm		
Height	2 mm		



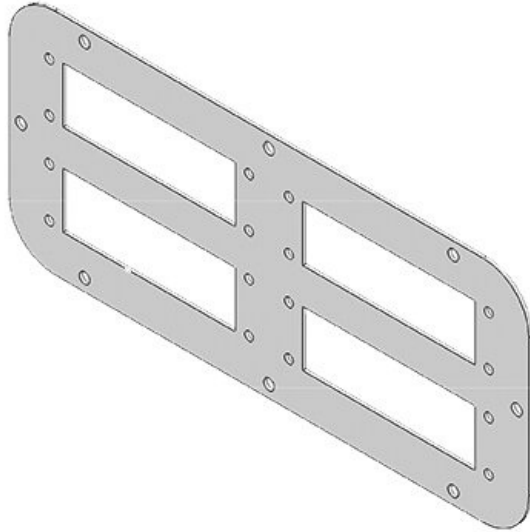
Part No.	43905	Flange plate size	5
EAN	4251269321399	Cut-out size	112 × 36 mm
Package quantity	1	Suitable for enclosure	Rittal AX
Color	gray (RAL 7035)	Suitable for cable entry systems:	KEL-ER 24, KEL-24, KEL-U 24, KEL-FA 24, KEL-FG A, KEL-FG-ER A, KEL-QUICK 24, KEL-QTA 24, KEL-BES 24, KEL-BES-S 24, KEL-DPZ 24, KEL-DPU 24, KEL-DPU-HD 24, KEL-DP 24
Length	301 mm		
Width	221 mm		
Height	2 mm		



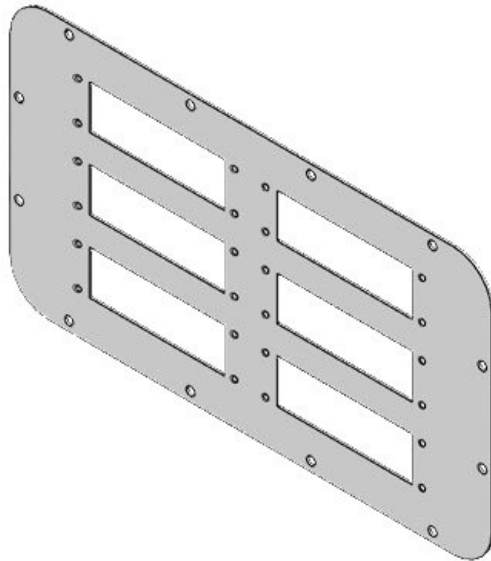
Part No.	43906	Flange plate size	5
EAN	4251269321	Cut-out size	112 × 36 mm
Package quantity	1	Suitable for enclosure	Rittal AX
Color	gray (RAL 7035)	Suitable for cable entry systems:	KEL-ER 24, KEL 24, KEL-U 24, KEL-FA 24, KEL-FG A, KEL-FG-ER A, KEL-QUICK 24, KEL-QTA 24, KEL-BES 24, KEL-BES-S 24, KEL-DPZ 24, KEL-DPU 24, KEL-DPU-HD 24, KEL-DP 24
Length	301 mm		
Width	221 mm		
Height	2 mm		



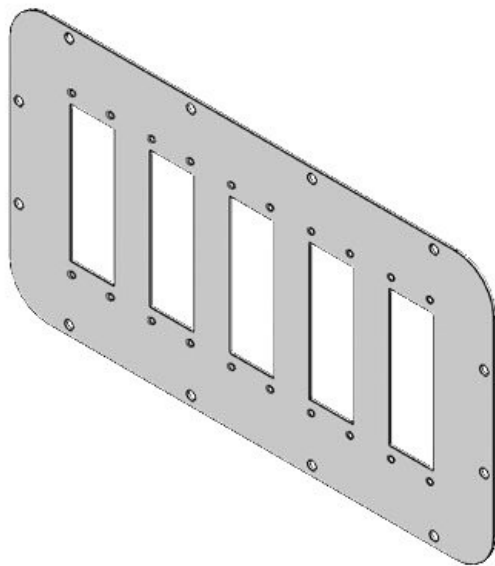
Part No.	43840	Flange plate size	2
EAN	4251269310	Cut-out size	112 × 36 mm
Package quantity	1	Suitable for enclosure	Rittal TP, Rittal CS, Rittal AE
Color	gray (RAL 7035)	Suitable for cable entry systems:	KEL-ER 24, KEL 24, KEL-U 24, KEL-FA 24, KEL-FG A, KEL-FG-ER A, KEL-QUICK 24, KEL-QTA 24, KEL-BES 24, KEL-BES-S 24, KEL-DPZ 24, KEL-DPU 24, KEL-DPU-HD 24, KEL-DP 24
Length	339 mm		
Width	149 mm		
Height	2 mm		



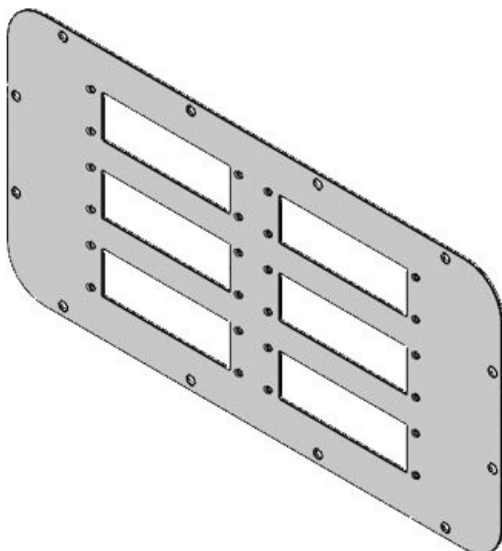
Part No.	43846	Flange plate size	2
EAN	4251269310	Cut-out size	112 × 36 mm
Package quantity	782	Suitable for enclosure	Rittal TP, Rittal CS, Rittal AE
Color	gray (RAL 7035)	Suitable for cable entry systems:	KEL-ER 24, KEL 24, KEL-U 24, KEL-FA 24, KEL-FG A, KEL-FG-ER A, KEL-QUICK 24, KEL-QTA 24, KEL-BES 24, KEL-BES-S 24, KEL-DPZ 24, KEL-DPU 24, KEL-DPU-HD 24, KEL-DP 24
Length	339 mm		
Width	149 mm		
Height	2 mm		



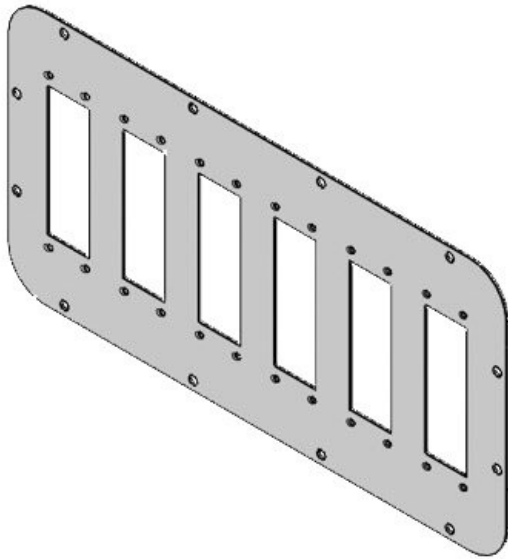
Part No.	43907	Flange plate size	6
EAN	4251269321	Cut-out size	112 × 36 mm
Package quantity	412	Suitable for enclosure	Rittal AX
Color	gray (RAL 7035)	Suitable for cable entry systems:	KEL-ER 24, KEL 24, KEL-U 24, KEL-FA 24, KEL-FG A, KEL-FG-ER A, KEL-QUICK 24, KEL-QTA 24, KEL-BES 24, KEL-BES-S 24, KEL-DPZ 24, KEL-DPU 24, KEL-DPU-HD 24, KEL-DP 24
Length	401 mm		
Width	221 mm		
Height	2 mm		



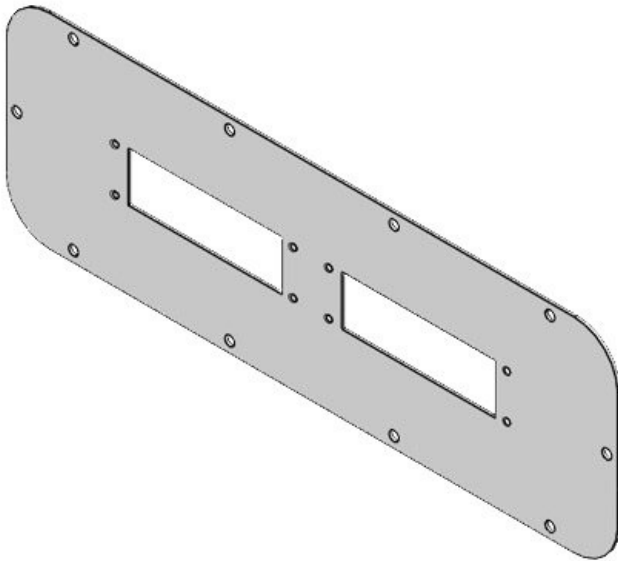
Part No.	43908	Flange plate size	6
EAN	4251269321	Cut-out size	112 × 36 mm
Package quantity	1	Suitable for enclosure	Rittal AX
Color	gray (RAL 7035)	Suitable for cable entry systems:	KEL-ER 24, KEL-24, KEL-U 24, KEL-FA 24, KEL-FG A, KEL-FG-ER A, KEL-QUICK 24, KEL-QTA 24, KEL-BES 24, KEL-BES-S 24, KEL-DPZ 24, KEL-DPU 24, KEL-DPU-HD 24, KEL-DP 24
Length	401 mm		
Width	221 mm		
Height	2 mm		



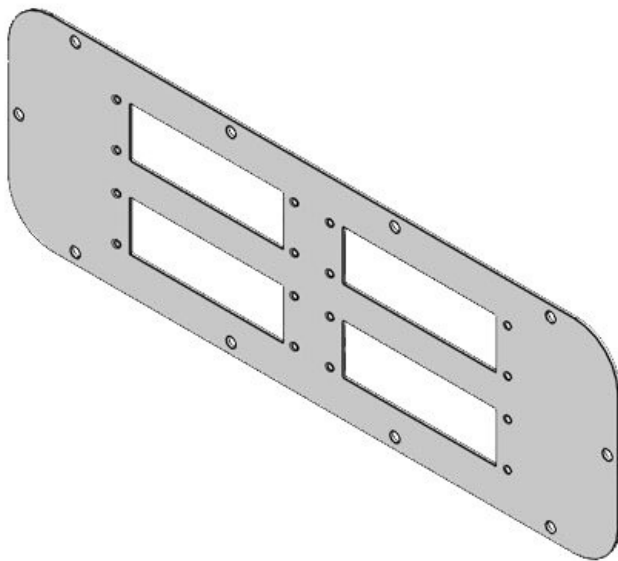
Part No.	43909	Flange plate size	7
EAN	4251269321	Cut-out size	112 × 36 mm
Package quantity	1	Suitable for enclosure	Rittal AX
Color	gray (RAL 7035)	Suitable for cable entry systems:	KEL-ER 24, KEL-24, KEL-U 24, KEL-FA 24, KEL-FG A, KEL-FG-ER A, KEL-QUICK 24, KEL-QTA 24, KEL-BES 24, KEL-BES-S 24, KEL-DPZ 24, KEL-DPU 24, KEL-DPU-HD 24, KEL-DP 24
Length	436 mm		
Width	221 mm		
Height	2 mm		



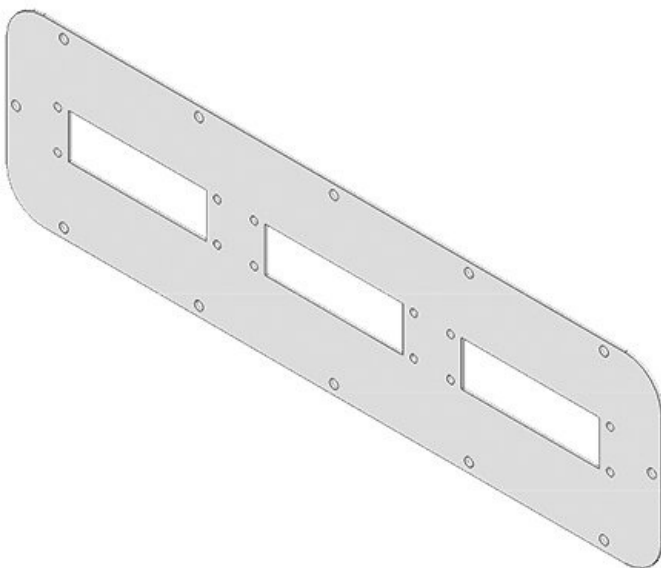
Part No.	43910	Flange plate	7
EAN	4251269321	size	112 × 36 mm
	443	Cut-out size	Rittal AX
Package quantity	1	Suitable for enclosure	
Color	gray (RAL 7035)	Suitable for cable entry systems:	KEL-ER 24, KEL-24, KEL-U 24, KEL-FA 24, KEL-FG A, KEL-FG-ER A, KEL-QUICK 24, KEL-QTA 24, KEL-BES 24, KEL-BES-S 24, KEL-DPZ 24, KEL-DPU 24, KEL-DPU-HD 24, KEL-DP 24
Length	436 mm		
Width	221 mm		
Height	2 mm		



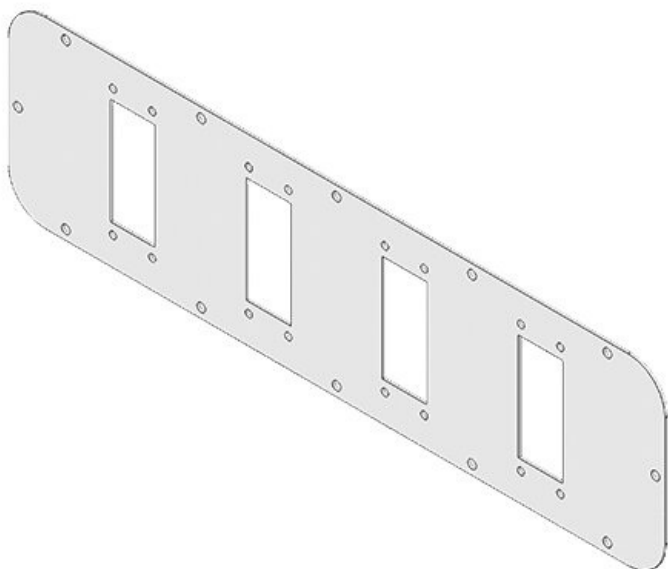
Part No.	43903	Flange plate	3
EAN	4251269321	size	112 × 36 mm
	375	Cut-out size	Rittal AX
Package quantity	1	Suitable for enclosure	
Color	gray (RAL 7035)	Suitable for cable entry systems:	KEL-ER 24, KEL-24, KEL-U 24, KEL-FA 24, KEL-FG A, KEL-FG-ER A, KEL-QUICK 24, KEL-QTA 24, KEL-BES 24, KEL-BES-S 24, KEL-DPZ 24, KEL-DPU 24, KEL-DPU-HD 24, KEL-DP 24
Length	447 mm		
Width	149 mm		
Height	2 mm		



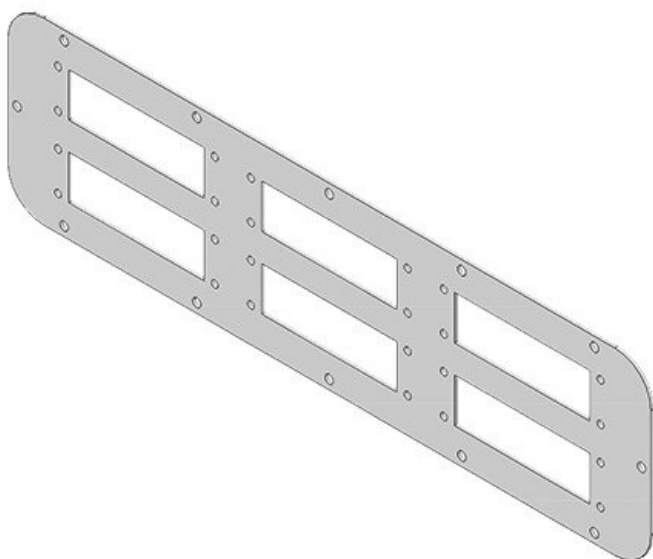
Part No.	43904	Flange plate size	3
EAN	4251269321	Cut-out size	112 × 36 mm
Package quantity	1	Suitable for enclosure	Rittal AX
Color	gray (RAL 7035)	Suitable for cable entry systems:	KEL-ER 24, KEL-24, KEL-U 24, KEL-FA 24, KEL-FG A, KEL-FG-ER A, KEL-QUICK 24, KEL-QTA 24, KEL-BES 24, KEL-BES-S 24, KEL-DPZ 24, KEL-DPU 24, KEL-DPU-HD 24, KEL-DP 24
Length	447 mm		
Width	149 mm		
Height	2 mm		



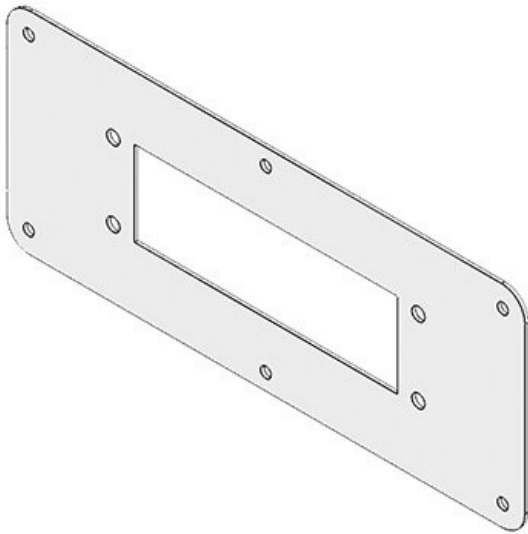
Part No.	43842	Flange plate size	4
EAN	4251269310	Cut-out size	112 × 36 mm
Package quantity	1	Suitable for enclosure	Rittal TP, Rittal IN, Rittal EL, Rittal AE
Color	gray (RAL 7035)	Suitable for cable entry systems:	KEL-ER 24, KEL-24, KEL-U 24, KEL-FA 24, KEL-FG A, KEL-FG-ER A, KEL-QUICK 24, KEL-QTA 24, KEL-BES 24, KEL-BES-S 24, KEL-DPZ 24, KEL-DPU 24, KEL-DPU-HD 24, KEL-DP 24
Length	534 mm		
Width	149 mm		
Height	2 mm		



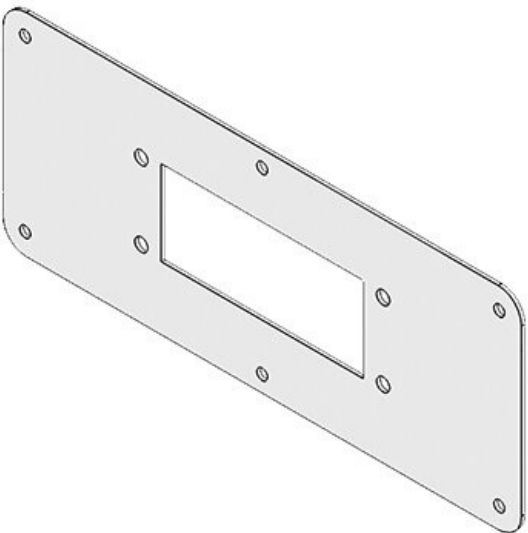
Part No.	43871	Flange plate size	4
EAN	4251269310881	Cut-out size	86 × 36 mm
Package quantity	1	Suitable for enclosure	Rittal TP, Rittal IN, Rittal EL, Rittal AE
Color	gray (RAL 7035)	Suitable for cable entry systems:	KEL-ER 16, KEL 16, KEL-U 16, KEL-FA 16, KEL-QUICK 16, KEL-SNAP 16, KEL-BES 16, KEL-BES-S 16, KEL-DPZ 16, KEL-DP 16
Length	534 mm		
Width	149 mm		
Height	2 mm		



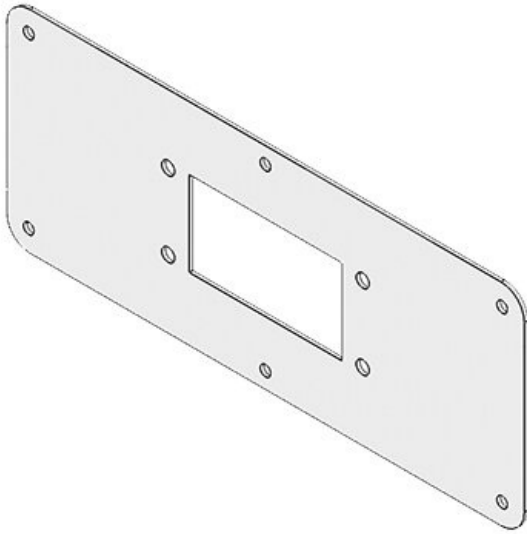
Part No.	43848	Flange plate size	4
EAN	4251269310799	Cut-out size	112 × 36 mm
Package quantity	1	Suitable for enclosure	Rittal TP, Rittal IN, Rittal EL, Rittal AE
Color	gray (RAL 7035)	Suitable for cable entry systems:	KEL-ER 24, KEL 24, KEL-U 24, KEL-FA 24, KEL-FG A, KEL-FG-ER A, KEL-QUICK 24, KEL-QTA 24, KEL-BES 24, KEL-BES-S 24, KEL-DPZ 24, KEL-DPU 24, KEL-DPU-HD 24, KEL-DP 24
Length	534 mm		
Width	149 mm		
Height	2 mm		



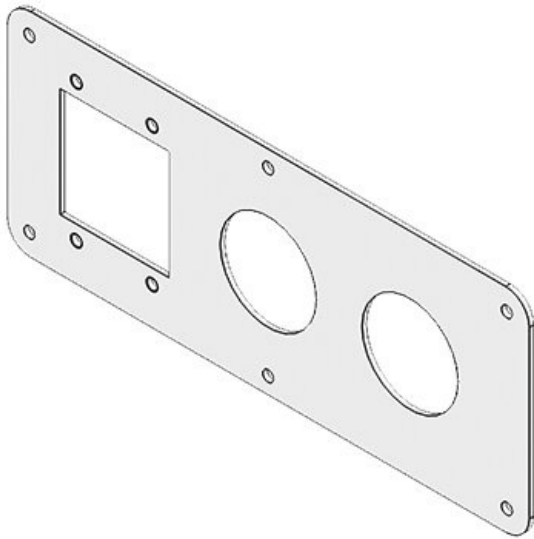
Part No.	43834	Flange plate	2
EAN	4251269310	size	
	737	Cut-out size	112 × 36 mm
Package quantity	1	Suitable for enclosure	Rittal KX, Rittal KL
Color	gray (RAL 7035)	Suitable for cable entry systems:	KEL-ER 24, KEL-24, KEL-U 24, KEL-FA 24, KEL-FG A, KEL-FG-ER A, KEL-QUICK 24, KEL-QTA 24, KEL-BES 24, KEL-BES-S 24, KEL-DPZ 24, KEL-DPU 24, KEL-DPU-HD 24, KEL-DP 24
Length	221 mm		
Width	90 mm		
Height	2 mm		



Part No.	43855	Flange plate	2
EAN	4251269310	size	
	836	Cut-out size	86 × 36 mm
Package quantity	1	Suitable for enclosure	Rittal KX, Rittal KL
Color	gray (RAL 7035)	Suitable for cable entry systems:	KEL 16, KEL-U 16, KEL-FA 16, KEL-QUICK 16, KEL-SNAP 16, KEL-DPZ 16, KEL-DP 16, KEL-BES 16, KEL-BES-S 16
Length	221 mm		
Width	90 mm		
Height	1 mm		



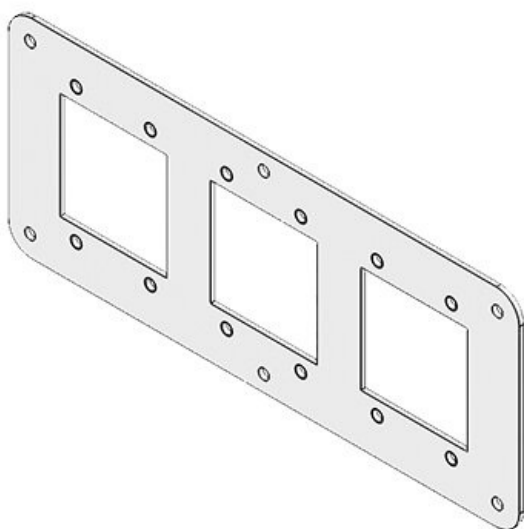
Part No.	43853	Flange plate	2
EAN	4251269310	size	
	812	Cut-out size	65 × 36 mm
Package quantity	1	Suitable for enclosure	Rittal KX, Rittal KL
Color	gray (RAL 7035)	Suitable for cable entry systems:	KEL 10, KEL-U 10, KEL-FA 10, KEL-QUICK 10, KEL-SNAP 10, KEL-DPZ 10, KEL-DP 10, KEL-BES 10, KEL-BES-S 10
Length	221 mm		
Width	90 mm		
Height	1 mm		



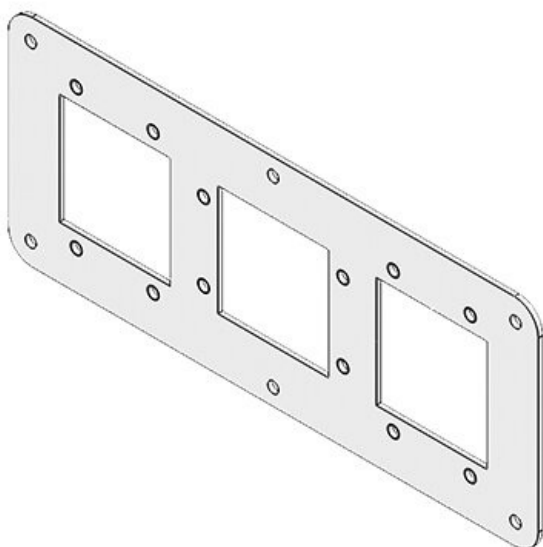
Part No.	43852	Flange plate	2
EAN	4251269310	size	
	805	Cut-out size	46 × 46 mm
Package quantity	1	Cut-out size, round	40,4 mm
Color	gray (RAL 7035)	Suitable for enclosure	Rittal KX, Rittal KL
Length	221 mm	Suitable for cable entry systems:	KEL-B, KEL-U-B, KEL-QUICK-B, KEL-SNAP-B, KEL-DPZ-B, KEL-DPZ 40, KEL-DPZ-HD 40, KEL-DPZ-CLICK 40, KEL-SCDP-TR 40, KEL-DPF 40
Width	90 mm		
Height	2 mm		

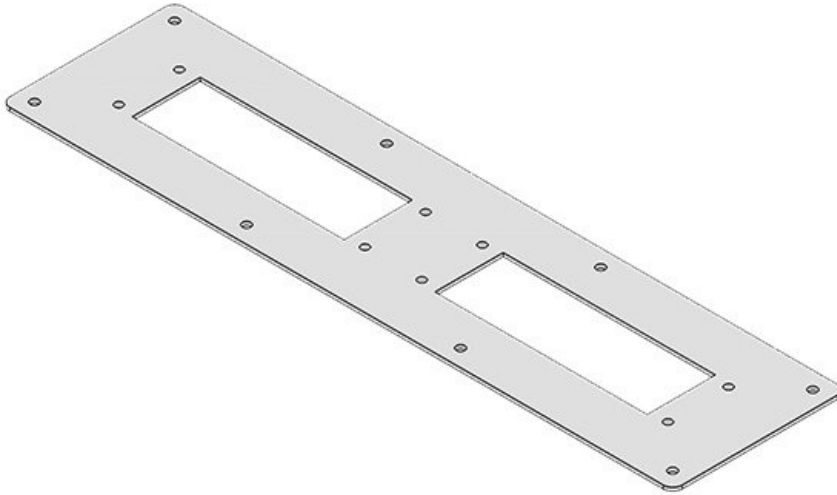
FP-KX/KL 221×90|B

Part No.	43854	Flange plate	2
EAN	4251269310	size	
	829	Cut-out size	46 × 46 mm
Package quantity	1	Suitable for enclosure	Rittal KX, Rittal KL
Color	gray (RAL 7035)	Suitable for cable entry systems:	2 × KEL-SNAP-B, 1 × KEL-DPZ-B
Length	221 mm		
Width	90 mm		
Height	2 mm		

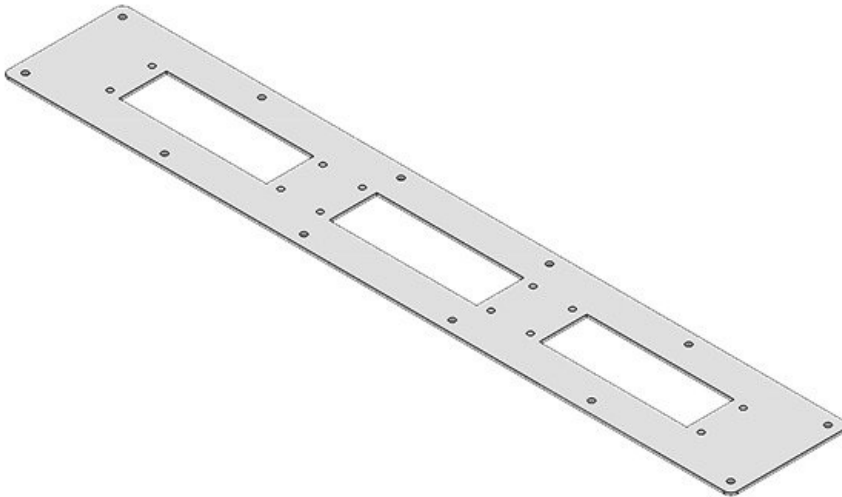
**FP-KX/KL 221×90|C**

Part No.	43856	Flange plate	2
EAN	4251269310	size	
	843	Cut-out size	46 × 46 mm
Package quantity	1	Suitable for enclosure	Rittal KX, Rittal KL
Color	gray (RAL 7035)	Suitable for cable entry systems:	KEL-B / KEL-U-B / KEL-QUICK-B / KEL-DPZ-B
Length	221 mm		
Width	90 mm		
Height	2 mm		



FP-BG 355×92-2

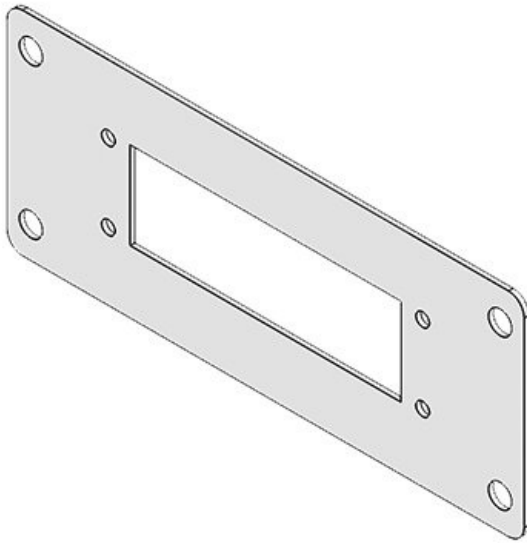
Part No.	43866	Cut-out size	112 × 36 mm
EAN	4251269310874	Suitable for enclosure	Rittal BG
Package quantity	1	Suitable for cable entry systems:	KEL-ER 24, KEL-24, KEL-U 24, KEL-FA 24, KEL-FG A, KEL-FG-ER A, KEL-QUICK 24, KEL-QTA 24, KEL-BES 24, KEL-BES-S 24, KEL-DPZ 24, KEL-DPU 24, KEL-DPU-HD 24, KEL-DP 24
Color	gray (RAL 7035)		
Length	355 mm		
Width	92 mm		
Height	2 mm		

FP-BG 555×92-3

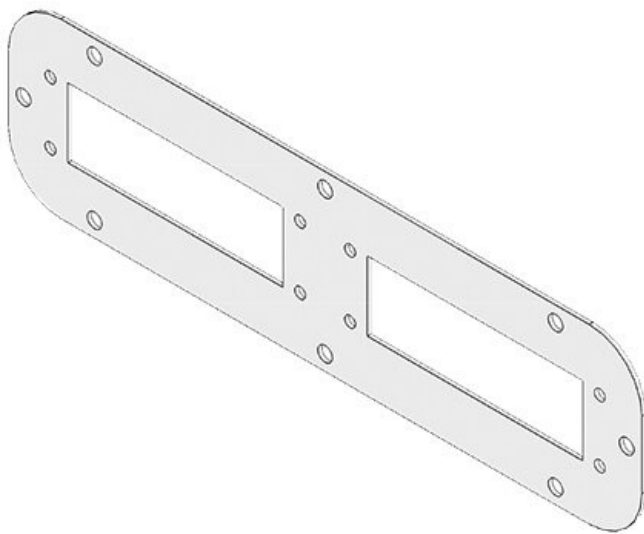
Part No.	43865	Flange plate size	6
EAN	4251269310867	Cut-out size	112 × 36 mm
Package quantity	1	Suitable for enclosure	Rittal IN, Rittal BG
Color	gray (RAL 7035)	Suitable for cable entry systems:	KEL-ER 24, KEL-24, KEL-U 24, KEL-FA 24, KEL-FG A, KEL-FG-ER A, KEL-QUICK 24, KEL-QTA 24, KEL-BES 24, KEL-BES-S 24, KEL-DPZ 24, KEL-DPU 24, KEL-DPU-HD 24, KEL-DP 24
Length	555 mm		
Width	92 mm		
Height	2 mm		

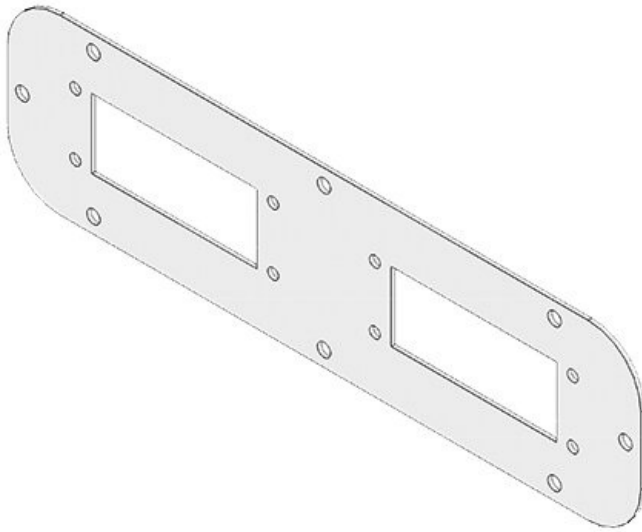
FP-FL 21

Part No.	43832	Cut-out size	112 × 36 mm
EAN	4251269310	Suitable for enclosure	Fibox
Package quantity	720	Suitable for cable entry systems:	KEL-ER 24, KEL-U 24, KEL-FA 24, KEL-FG A, KEL-FG-ER A, KEL-QUICK 24, KEL-QTA 24, KEL-BES 24, KEL-BES-S 24, KEL-DPZ 24, KEL-DPU 24, KEL-DPU-HD 24, KEL-DP 24
Color	gray (RAL 7035)		
Length	214 mm		
Width	88 mm		
Height	2 mm		

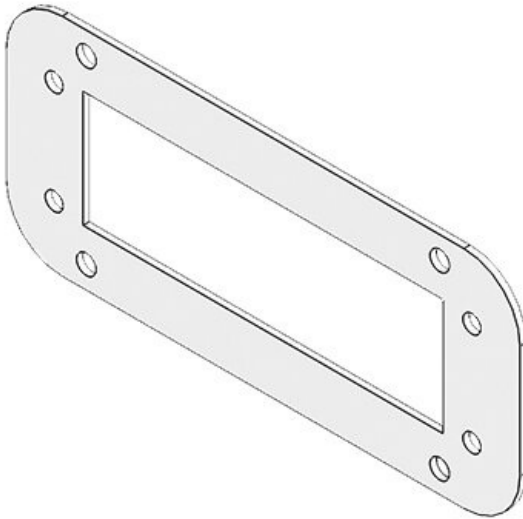
**FP-AE-24 330|90**

Part No.	43838	Flange plate size	3
EAN	4251269310	Cut-out size	112 × 36 mm
Package quantity	751	Suitable for enclosure	Rittal AE
Color	1	Suitable for cable entry systems:	KEL-ER 24, KEL-U 24, KEL-FA 24, KEL-FG A, KEL-FG-ER A, KEL-QUICK 24, KEL-QTA 24, KEL-BES 24, KEL-BES-S 24, KEL-DPZ 24, KEL-DPU 24, KEL-DPU-HD 24, KEL-DP 24
Length	gray (RAL 7035)		
Width	330		
Height	90		
	2 mm		



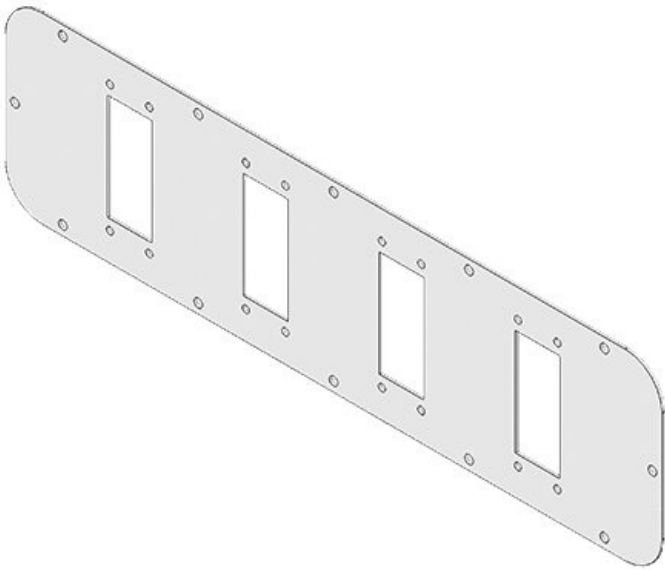


Part No.	43861	Flange plate size	3
EAN	4251269310850	Cut-out size	86 × 36 mm
Package quantity	1	Suitable for enclosure	Rittal AE
Color	gray (RAL 7035)	Suitable for cable entry systems:	KEL-ER 16, KEL-U 16, KEL-FA 16, KEL-QUICK 16, KEL-SNAP 16, KEL-BES 16, KEL-BES-S 16, KEL-DPZ 16, KEL-DP 16
Length	330 mm		
Width	90 mm		
Height	2 mm		

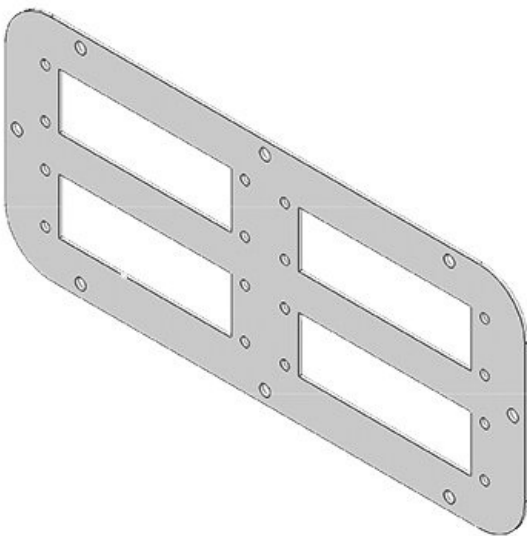


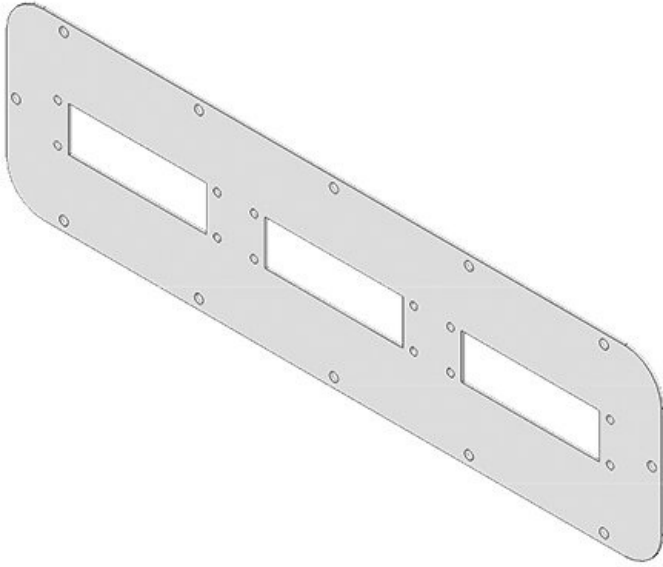
Part No.	43836	Flange plate size	1
EAN	4251269310744	Cut-out size	112 × 36 mm
Package quantity	1	Suitable for enclosure	Rittal AE
Color	gray (RAL 7035)	Suitable for cable entry systems:	KEL-QTA 24, KEL-DP 24
Length	160 mm		
Width	70 mm		
Height	2 mm		

Part No.	43871	Flange plate size	5
EAN	4251269310881	Cut-out size	86 × 36 mm
Package quantity	1	Suitable for enclosure	Rittal TP, Rittal IN, Rittal EL, Rittal AE
Color	gray (RAL 7035)	Suitable for cable entry systems:	KEL-ER 16, KEL 16, KEL-U 16, KEL-FA 16, KEL-QUICK 16, KEL-SNAP 16, KEL-BES 16, KEL-BES-S 16, KEL-DPZ 16, KEL-DP 16
Length	534 mm		
Width	149 mm		
Height	2 mm		

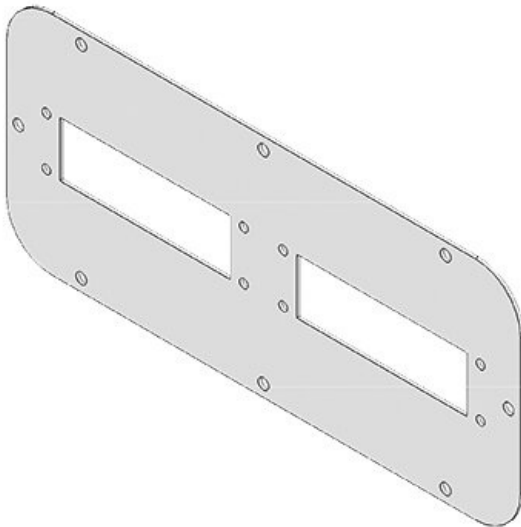


Part No.	43846	Flange plate size	4
EAN	4251269310782	Cut-out size	112 × 36 mm
Package quantity	1	Suitable for enclosure	Rittal TP, Rittal CS, Rittal AE
Color	gray (RAL 7035)	Suitable for cable entry systems:	KEL-ER 24, KEL-U 24, KEL-FA 24, KEL-FG A, KEL-FG-ER A, KEL-QUICK 24, KEL-QTA 24, KEL-BES 24, KEL-BES-S 24, KEL-DPZ 24, KEL-DPU 24, KEL-DPU-HD 24, KEL-DP 24
Length	339 mm		
Width	149 mm		
Height	2 mm		

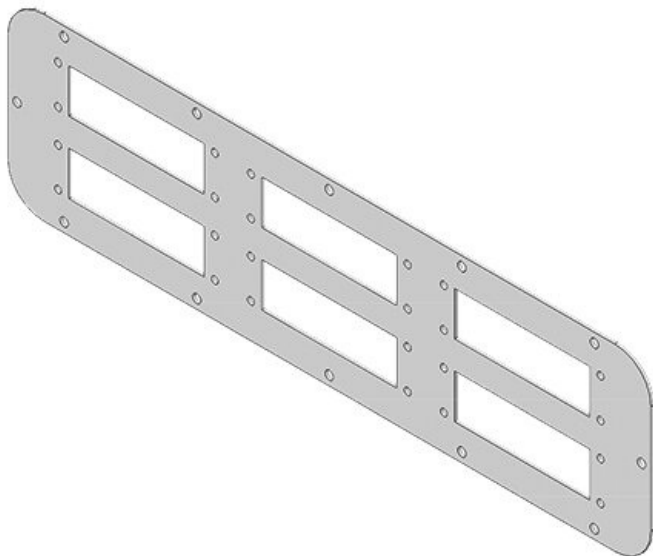




Part No.	43842	Flange plate size	5
EAN	4251269310775	Cut-out size	112 × 36 mm
Package quantity	1	Suitable for enclosure	Rittal TP, Rittal IN, Rittal AE
Color	gray (RAL 7035)	Suitable for cable entry systems:	KEL-ER 24, KEL-FA 24, KEL-FG A, KEL-FG-ER A, KEL-QUICK 24, KEL-QTA 24, KEL-BES 24, KEL-BES-S 24, KEL-DPZ 24, KEL-DPU 24, KEL-DPU-HD 24, KEL-DP 24
Length	534 mm		
Width	149 mm		
Height	2 mm		



Part No.	43840	Flange plate size	4
EAN	4251269310768	Cut-out size	112 × 36 mm
Package quantity	1	Suitable for enclosure	Rittal TP, Rittal CS, Rittal AE
Color	gray (RAL 7035)	Suitable for cable entry systems:	KEL-ER 24, KEL-FA 24, KEL-FG A, KEL-FG-ER A, KEL-QUICK 24, KEL-QTA 24, KEL-BES 24, KEL-BES-S 24, KEL-DPZ 24, KEL-DPU 24, KEL-DPU-HD 24, KEL-DP 24
Length	339 mm		
Width	149 mm		
Height	2 mm		



Part No.	43848	Flange plate	5
EAN	4251269310	size	112 × 36 mm
Package quantity	1	Cut-out size	112 × 36 mm
Color	gray (RAL 7035)	Suitable for enclosure	Rittal TP, Rittal IN, Rittal EL, Rittal AE
Length	534 mm	Suitable for cable entry systems:	KEL-ER 24, KEL 24, KEL-U 24, KEL-FA 24, KEL-FG A, KEL-FG-ER A, KEL-QUICK 24, KEL-QTA 24, KEL-BES 24, KEL-BES-S 24, KEL-DPZ 24, KEL-DPU 24, KEL-DPU-HD 24, KEL-DP 24
Width	149 mm		
Height	2 mm		