

TUBE

Robust machine luminaire with the highest quality standards / IP67



The TUBE system luminaire provides effective lighting for machinery and equipment, with M12 connectors for standardised connection.

The luminaire is easy to mount, rotates and offers a circuit-independent service life of 50,000 operating hours.

Depending on the application, you can choose different materials for the tubes: the TUBE is available in chemical-resistant borosilicate glass and in impact-resistant polycarbonate.

Fluctuating temperatures, oil, water or various chemicals therefore affect neither the luminosity nor the service life.

IP67

RoHS
compliant

REACH
COMPLIANCE

Made in
Germany

CE

UK
CA

Borrow a sample now



Specifications

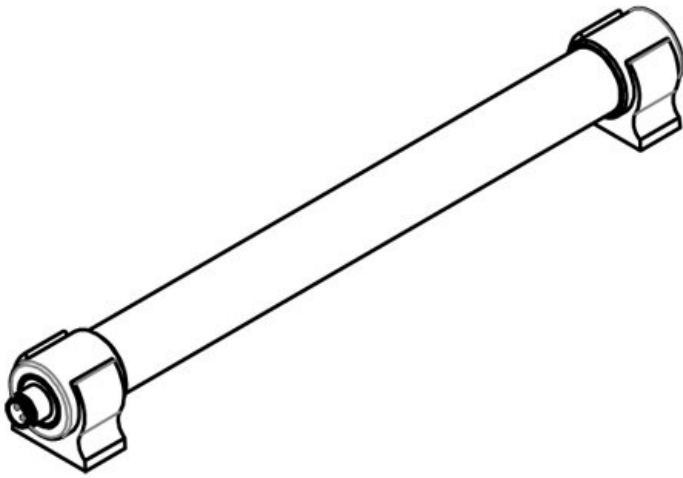
IP rating (EN 60529)	IP67
Protection class	III (Protective extra-low voltage)
Material	Tube: Polycarbonate Tube: Borosilicate glass End caps: Stainless steel
Flame class	
Operating temperature	-20 C° to 50 C°
Mounting options	Snap-in

Advantages & benefits

- Chemical-resistant borosilicate glass or impact-resistant polycarbonate tube
- Protection class IP67
- Completely maintenance-free product
- High energy efficiency thanks to High Power LED
- Compact round design \varnothing 28 mm, suitable for the tightest installation situations
- Easy retrofitting in existing machines
- With rotating LED tube
- Stainless steel end caps
- Cable connection via M12 connector

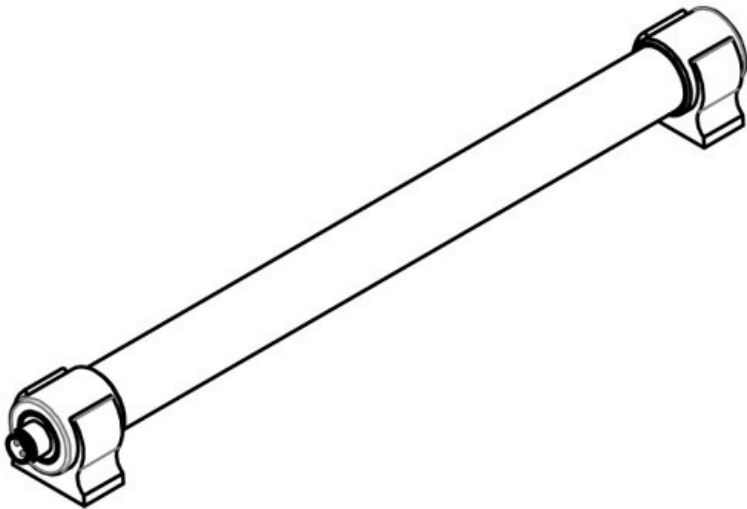
Product types & sizes

TUBE 8 W | 300 mm

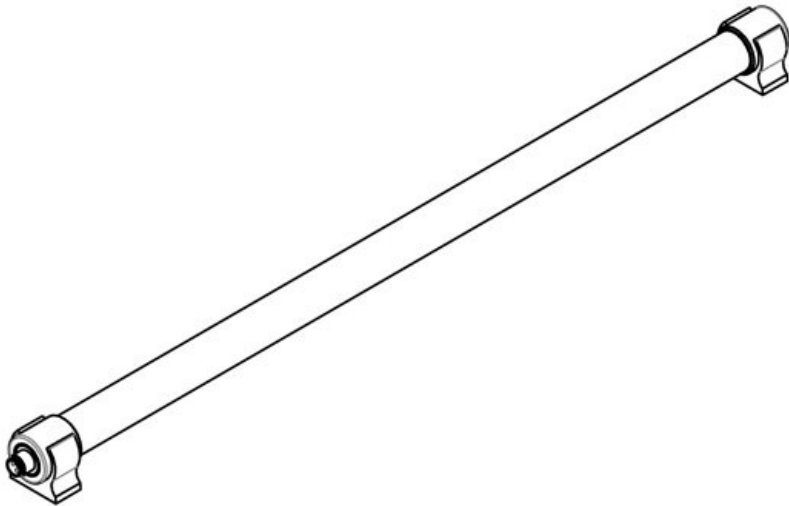


Part No.	81502	End cap diameter	28 mm
EAN	4251269333	Connection possibilities	M12 connector
Package quantity	1	Connector type	M12 flange socket
Length	296,1 mm	Rated power	8 W
Height	36 mm	Operating voltage	24 V, DC
Width	34 mm	Service life	50.000 h
Tube diameter	24 mm	Energy efficiency class	E
		Consumption kWh/1000 h	13
		Colour temperature	5.600 K
		Colour rendering index CRI	>80
		Luminous flux	1.000 lm
		Material tube	Polycarbonate

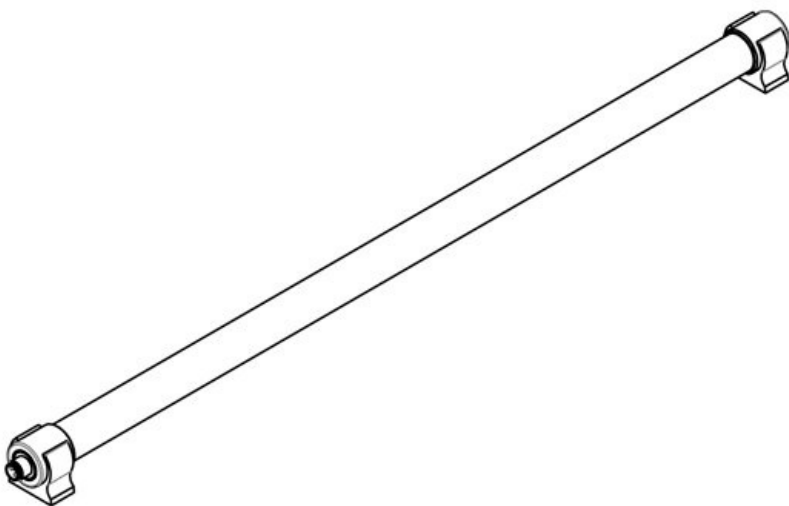
TUBE 11,2 W | 330 mm



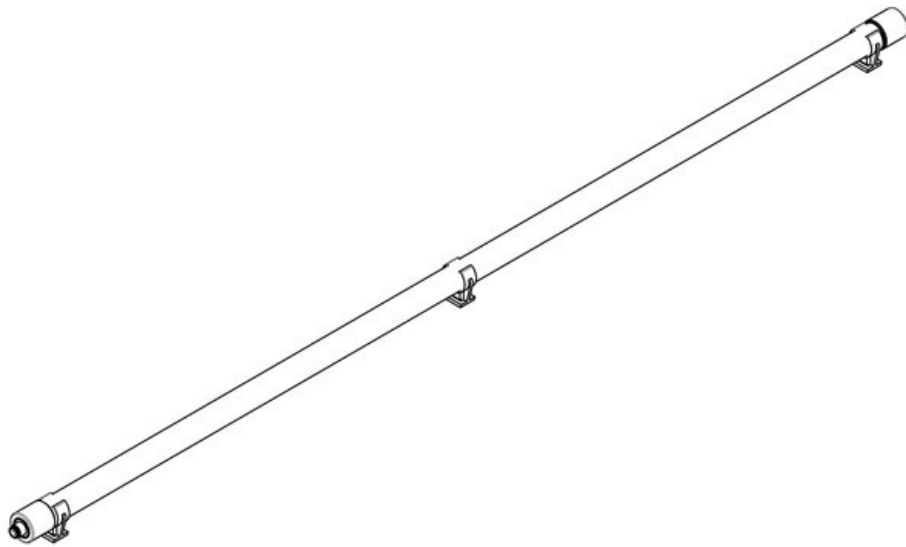
Part No.	81503	End cap diameter	28 mm
EAN	4251269333	Connection possibilities	M12 connector
Package quantity	1	Connector type	M12 flange socket
Length	331,1 mm	Rated power	11,2 W
Height	36 mm	Operating voltage	24 V, DC
Width	34 mm	Service life	50.000 h
Tube diameter	24 mm	Colour temperature	5.000 K
		Colour rendering index CRI	>80
		Luminous flux	1.650 lm
		Material tube	Borosilicate glass

TUBE 13 W | 570 mm

Part No.	81500	End cap diameter	28 mm
EAN	4251269333	Connection possibilities	M12 connector
Package quantity	1	Connector type	M12 flange socket
Length	565,1 mm	Rated power	13 W
Height	36 mm	Operating voltage	24 V, DC ±5%
Width	34 mm	Service life	50.000 h
Tube diameter	24 mm	Energy efficiency class	E
		Consumption kWh/1000 h	13
		Colour temperature	5.600 K
		Colour rendering index CRI	>80
		Luminous flux	1.700 lm
		Material tube	Polycarbonate

TUBE 16,8 W | 615 mm

Part No.	81504	End cap diameter	28 mm
EAN	4251269333	Connection possibilities	M12 connector
Package quantity	1	Connector type	M12 flange socket
Length	615,1 mm	Rated power	16,8 W
Height	36 mm	Operating voltage	24 V, DC ±5%
Width	34 mm	Rated current	1,08 A
Tube diameter	24 mm	Service life	50.000 h
		Colour temperature	5.000 K
		Colour rendering index CRI	>80
		Luminous flux	2.775 lm
		Material tube	Borosilicate glass



Part No.	81501	End cap	28 mm
EAN	4251269333	diameter	
	125	Connection	M12
Package	1	possibilities	connector
quantity		Connector	M12 flange
Length	1.074,6 mm	type	socket
Height	39 mm	Rated power	26 W
Width	30,4 mm	Operating	24 V, DC
Tube diameter	24 mm	voltage	±5%
		Rated current	1,0 A
		Service life	50.000 h
		Energy	E
		efficiency class	
		Consumption	13
		kWh/1000 h	
		Colour	5.600 K
		temperature	
		Colour	>80
		rendering	
		index CRI	
		Luminous flux	3.400 lm
		Material tube	Polycarbonat
			e

Connecting cable for TUBE, 5000 mm



Part No.	81530	Material cable	Polyurethan
EAN	4251269333	sheath	e
	163		
Package	1		
quantity			
Length	5.000 mm		
connecting			
cable			
Connector	M12		
type	connector,		
	Ferrules		
Operating	24 V DC ±5%		
voltage			
Colour	black		

Connecting cable for TUBE, 10000 mm

Part No.	81531	Material cable	Polyurethan
EAN	4251269333	sheath	e
	170		
Package quantity	1		
Length connecting cable	10.000 mm		
Connector type	M12 connector, Ferrules		
Operating voltage	24 V DC ±5%		
Colour	black		



Mounting clips TUBE, stainless steel

Part No.	91443	No. of screw	1
EAN	4251269335	holes	
	082	Diam. of screw	6,5 mm
Package quantity	2	holes	
Length	30 mm		
Height	38 mm		
Width	27 mm		
Colour	black		





Part No.	91070	Colour	black
EAN		No. of screw holes	1
Package quantity	1	Diam. of screw holes	4,2 mm
Length	18,4 mm		
Height	34 mm		
Width	34 mm		
End cap diameter	28 mm		